

Toofypegs[®]

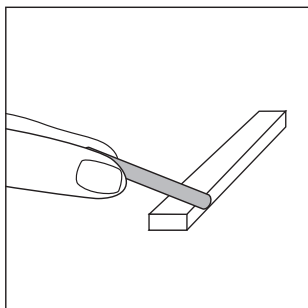
Nocavity[®]

Instructions for use

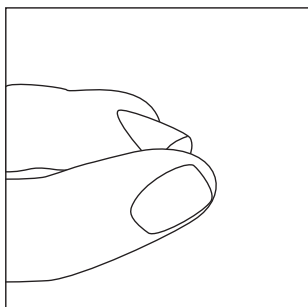
TOOFYPEGS[®] NOCAVITY[®] HAS BEEN DEVELOPED AS A TEMPORARY TOOTH FILLING MATERIAL FOR WHEN NO DENTIST IS AVAILABLE.

WARNING: DO NOT USE NOCAVITY[®] ON ABCESSSED TEETH OR WHEN GUMS ARE INFLAMED.

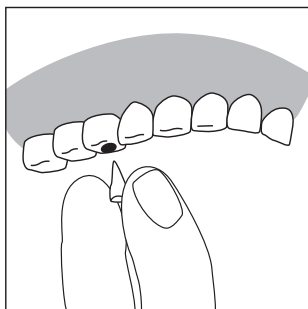
INSTRUCTIONS



- Carefully brush your teeth with toothpaste in order to remove food residuals from the cavity to be filled.
- It is also advisable to rinse the mouth with an antiseptic mouthwash.
- Using the enclosed spatula cut off a quantity of NOCAVITY[®] sufficient to fill the cavity. 1/2 cm is usually sufficient for most fillings.



- Gently roll the filling material between the thumb and forefinger & shape into a cone.



- Insert the tip of the cone into the cavity & gently press in with your finger. When the material is in place, use the spatula to remove any excess material.
- The filing material in NOCAVITY[®], when moistened by saliva, hardens in about 10 minutes.

CAUTION: NOCAVITY[®] WILL NOT SOLVE THE PROBLEMS PRESENT WHICH MADE THE FILLING NECESSARY. CONSULT YOUR DENTIST IF THE PROBLEM PERSISTS.

STORE IN A COOL DRY PLACE

Keep any remaining filling material in foil wrapper provided.

CE
0373

Contents:

- 1 x Spatula
- 1 x filling material (9g - Calcium Sulphate, Zinc Oxide, Vaseline)

Manufacturer: FIMO srl - via Edolo, 40 20125 MILANO Italy

Distributor UK: Anglian Pharma Sales & Marketing Ltd

Titmore Court, Titmore Green, Hitchin, Herts, SG4 7XJ Tel: 01438 743070 Fax: 01438 743080

Website: www.anglianpharma.com email: mail@anglianpharma.com

MADE IN ITALY